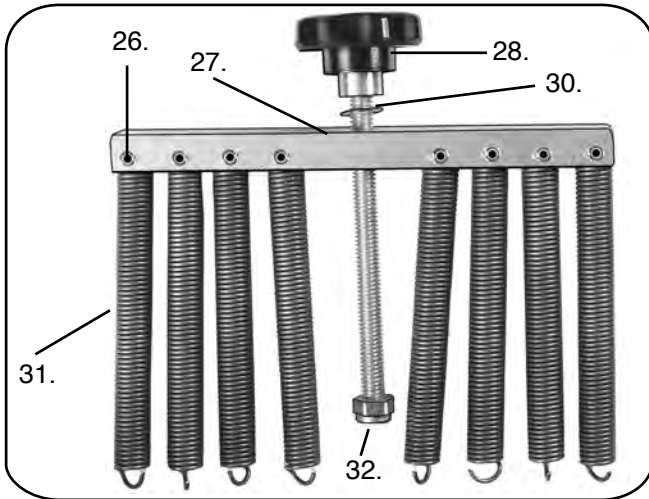
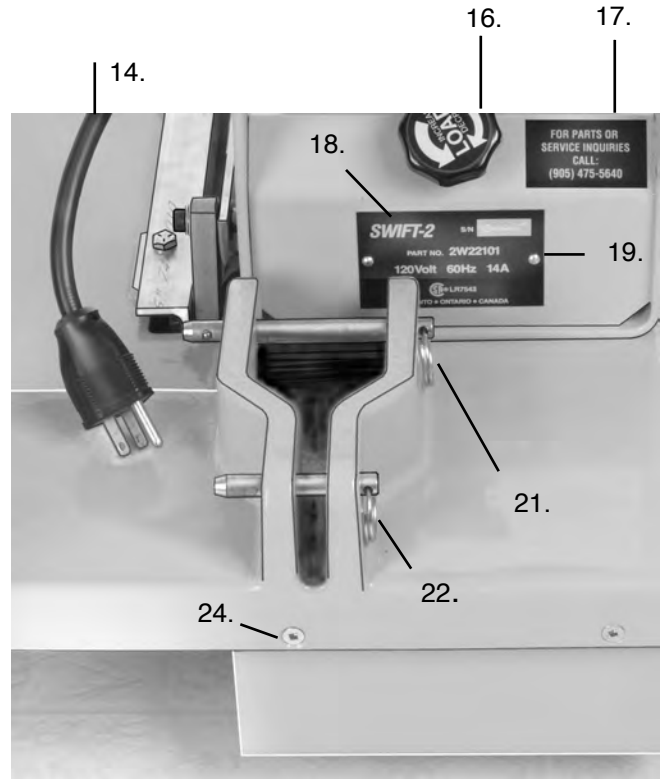
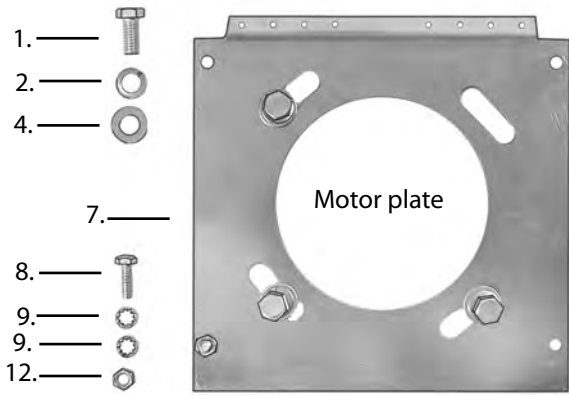


SWIFT Burnisher prt#.2W22101 Assembly page 3.



- 1. 6A43700 Mach.screw 3/8"x3/4"
- 2. 6K02408 Washer, lock
- 4. 6K02400 Flat washer
- 7. 2E50300 Motor plate
- 8. 6A30700 Machine screw 1/4"x 3/4"
- 9. 6K02203 Lock Washer
- 12. 6D02805 Nut grade 8-1/4"
- 14. 7C54504 Motor cable 56 frame Swift
- 16. 2E50200 Knob assembly
- 17. 1E05402 Decal
- 18. 2E05812 Data plate
- 19. 6F13301 Rivet type U drive screw.
- 21. 2E50112 Pull-pin 3-1/4" long
- 22. 2E50111 Pull-pin 1-1/2" long
- 24. 6A14900 Mach. screw flat head
- 26. 2E50190 Roll pin
- 25. 2E50028 Adjusting bar assembly
 - a. 26. 2E50190 Roll pin (8)
 - b. 27. 2E50180 Spring Bar
 - c. 28. 2E50200 Knob assembly
 - d. 31. 2E50160 Spring (8)
- 30. 6K02302 Washer style BB
- 32. 6D03001 Hex nut, nylon ins.5/16"

