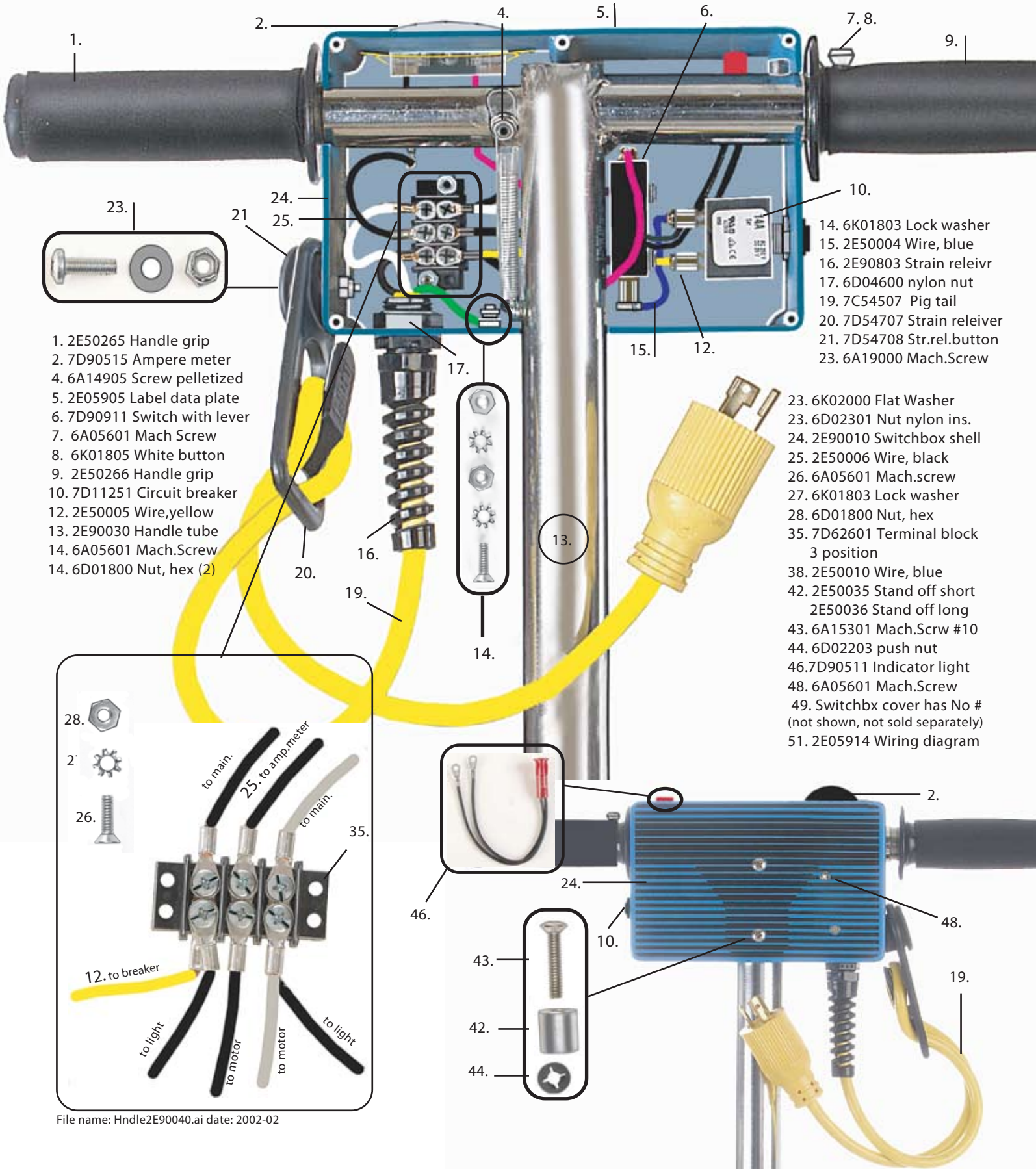


Floormachine Handle for Swift part # 2E90040



- 1. 2E50265 Handle grip
- 2. 7D90515 Ampere meter
- 4. 6A14905 Screw pelletized
- 5. 2E05905 Label data plate
- 6. 7D90911 Switch with lever
- 7. 6A05601 Mach Screw
- 8. 6K01805 White button
- 9. 2E50266 Handle grip
- 10. 7D11251 Circuit breaker
- 12. 2E50005 Wire,yellow
- 13. 2E90030 Handle tube
- 14. 6A05601 Mach.Screw
- 14. 6D01800 Nut, hex (2)

- 14. 6K01803 Lock washer
- 15. 2E50004 Wire, blue
- 16. 2E90803 Strain releivr
- 17. 6D04600 nylon nut
- 19. 7C54507 Pig tail
- 20. 7D54707 Strain releivr
- 21. 7D54708 Str.rel.button
- 23. 6A19000 Mach.Screw

- 23. 6K02000 Flat Washer
- 23. 6D02301 Nut nylon ins.
- 24. 2E90010 Switchbox shell
- 25. 2E50006 Wire, black
- 26. 6A05601 Mach.screw
- 27. 6K01803 Lock washer
- 28. 6D01800 Nut, hex
- 35. 7D62601 Terminal block 3 position
- 38. 2E50010 Wire, blue
- 42. 2E50035 Stand off short
- 42. 2E50036 Stand off long
- 43. 6A15301 Mach.Scrw #10
- 44. 6D02203 push nut
- 46. 7D90511 Indicator light
- 48. 6A05601 Mach.Screw
- 49. Switchbx cover has No # (not shown, not sold separately)
- 51. 2E05914 Wiring diagram

