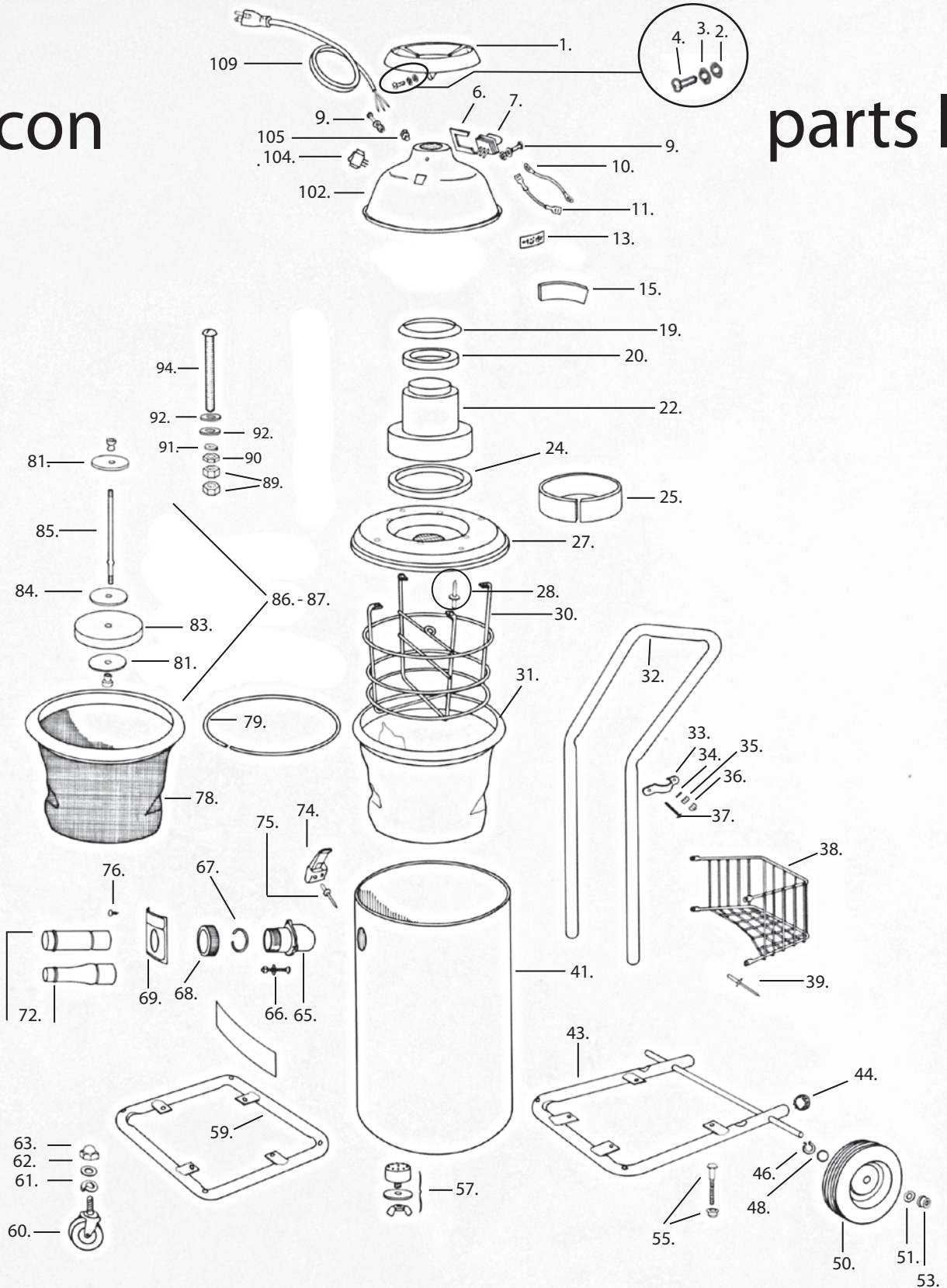


Vacuum Cleaner

Falcon

parts list



file: 15-PartsVac/FalconAsy.ai date: 2003-2-11

Falcon Vacuum parts list

1. 1E53500 Handle
2. 6K02000 Flat washer
3. 6K02006 Lock Washer
4. 6E13400 Tapping Screw
6. 7D53800 Receptacle
7. 7D53801 Retaining clip
9. 6A19000 Mach.screw 10-32 assy.
6K02001 Lock washer
6D02300 Hex nut
10. 1E54300 Ground cable
11. 1E54600 Cable bridge
13. 1E01001 Data plate
15. 1E60405 Sound abs.mat 15cm Falc-2 (4pcs)
1E60453 Sound abs.mat 63cm Falc-1
19. 1E60200 Gask. for SL-2,3,5,6,10
1E60500 Gask. for upper mot.supp.
20. 1E60400 Gask. by-pass mot. Top sml.
1E60401 Gask. by-pass mot. Top large
22. 7A55700 Motor SL-6, 10, Falc-1
7A55900 Motor SL-7, 15, Falc-2
24. 1E60300 Gask. lower motor
support SL-5,6, Falc-1
1E60301 Gask. lower motor
support SL-7, Falc-2
25. 1E60455 Sound abs.material 68cm Falc-1
27. 1E56311 Lower mot. supp.Falcon-1
1E56411 Lower mot. supp.Falcon-2
28. 6F20900 Rivet
30. 1E57000 Cage Falcon, SL-10,15
31. 1E46020 Filter, Dry for 45 liter tank
32. 1E58200 Handle, Falcons
33. 1E59000 "U" bracket
34. 6K02000 Flat washer
35. 6D02300 Hex nut 10x32
36. 6D02301 Nut, nylon hex 10x32
37. 6A19302 Mach. Screw 10x32x3/4
38. 1E62300 Tool caddy
39. 6F20900 Rivet
41. 1E48402 Vacuum tank 45 liter
43. 1E58300 Base frame for Falcon
44. 1E58900 Plug button
46. 6J67400 Retaining ring 1/2"
48. 6K02600 Tension washer 1/2"
50. 1E66600 Wheel
51. 6k02601 Spacer washer 1/2"
53. 6J66800 Hub cap nut
55. 6F25700 Rivet & 6F25700 mating part
57. 1E67201 Stopper
59. 1E58301 Sq. frame
60. 1E66400 Caster
61. 6K02403 Lock washer
62. 6K02402 Flat washer
63. 6D03201 Acorn nut
65. 1E54001 Deflector
66. 6B09900 Mach.screw
66. 6K01900 Flat washer
66. 6D10801 Hex nut
67. 1B50002 Ring
68. 1B50001 Nut (ribbed alumin.)
69. 1E05603 Name plate
72. Hose couplers. Obsolete use new#1B52024
74. 1E57900 Latch
75. 6F21100 Rivet
76. 6E02100 Tapping screw
78. 1E46220 Filter, wet
78. 1E46020 Filter, dry
79. 1E62401 Steel Ring
81. 1E56702 Disc with nutsert
83. 1E56600 Float Ethafoam
84. 1E56700 Disc with 1/4" hole
85. 1E56504 Float stem Falc-1
1E56505 Float stem Falc-2
86. 1E56524 comp. float assy. Falc-1
87. 1E56525 comp. float assy. Falc-2
Falcon-1
94. 6A20400 Mach.screw 2-1/4 long
92. 6K02000 Washer, flat #10
91. 6K02006 Lock washer tooth type
90. 6D02300 Hex nut
89. 6D02301 Hex nut nylon insert
Falcon-2
94. 6A20700 Mach.screw 3" long
92. 6K02000 Washer, flat #10
91. 6K02006 Lock washer tooth type
90. 6D02300 Hex nut
89. 6D02301 Hex nut nylon insert
102. 1E53120 MOTOR ENCL.SL-5,6, FALC 1
102. 1E53150 MOTOR ENCL.SL-7,15, FALC.2
104. 7D53900 SWITCH with Light SL5,6 obsolete
104. 7D54100 Switch (use it instead of 7D53900)
105. 7D54700 Strain reliever (only for older vacuum)
105. 7D90804 Strain Relief for vacuums
109. 7C54400 CABLE SL-5,6,FALCON 1 12m
109. 7C54500 CABLE,SL-7,FALCON 2, 15m

file: 15-PartsVac/FalconAsyTxttai date: 2003-2-11



Centaur Floor Machines Ltd. • 103 Denison Street • Markham ON Canada L3R 1B5

Tel: 905 475 5640 • Fax: 905 474 9921 • info@centaurmachines.com • www.centaurmachines.com