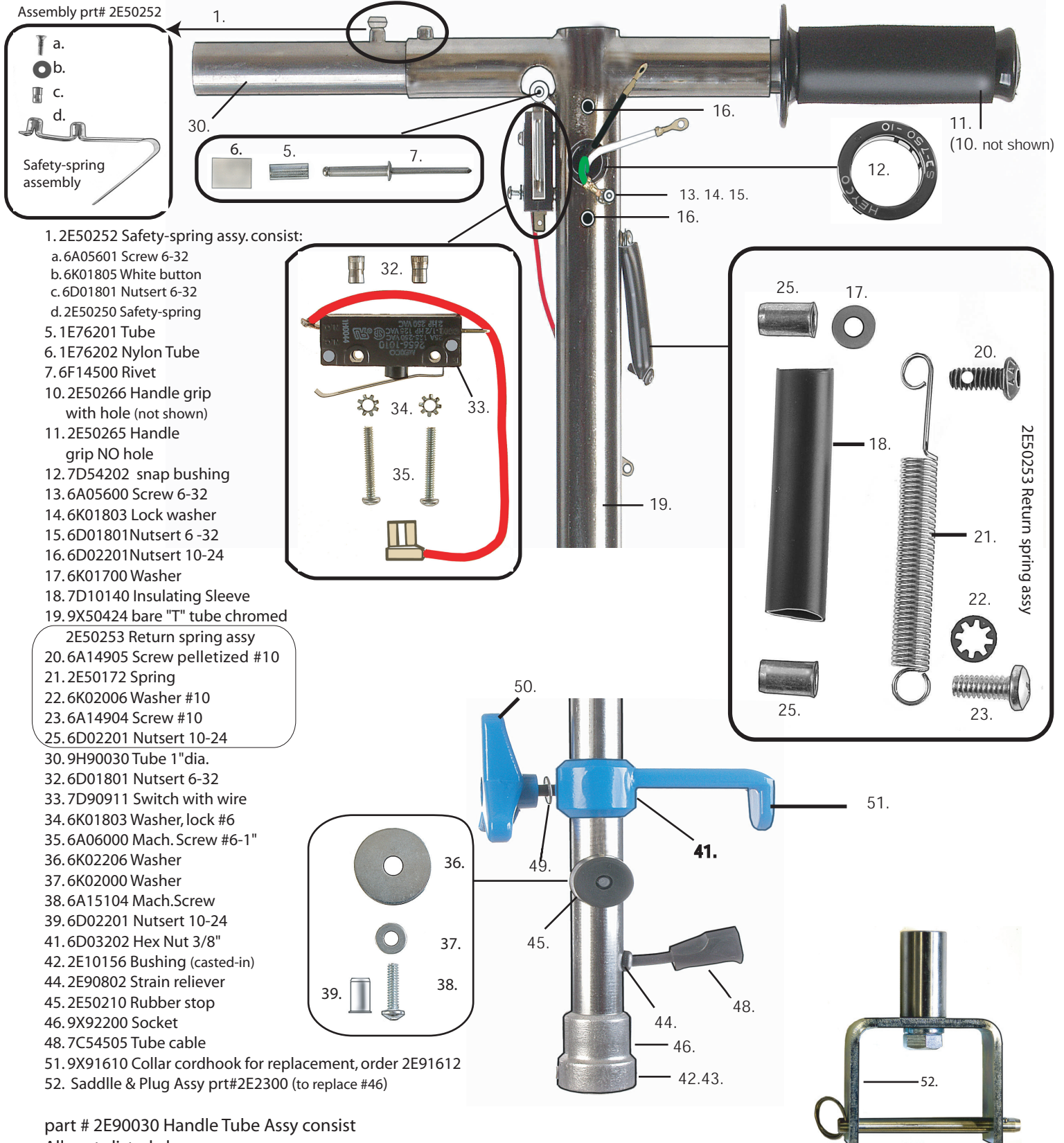


## Handle Tube Assembly for Swift Part #2E90030



**1. 2E50252 Safety-spring assy. consist:**

- a. 6A05601 Screw 6-32
- b. 6K01805 White button
- c. 6D01801 Nutsert 6-32
- d. 2E50250 Safety-spring
- 5. 1E76201 Tube
- 6. 1E76202 Nylon Tube
- 7. 6F14500 Rivet
- 10. 2E50266 Handle grip with hole (not shown)
- 11. 2E50265 Handle grip NO hole
- 12. 7D54202 snap bushing
- 13. 6A05600 Screw 6-32
- 14. 6K01803 Lock washer
- 15. 6D01801 Nutsert 6-32
- 16. 6D02201 Nutsert 10-24
- 17. 6K01700 Washer
- 18. 7D10140 Insulating Sleeve
- 19. 9X50424 bare "T" tube chromed

**2E50253 Return spring assy**

- 20. 6A14905 Screw pelletized #10
- 21. 2E50172 Spring
- 22. 6K02006 Washer #10
- 23. 6A14904 Screw #10
- 25. 6D02201 Nutsert 10-24

- 30. 9H90030 Tube 1" dia.
- 32. 6D01801 Nutsert 6-32
- 33. 7D90911 Switch with wire
- 34. 6K01803 Washer, lock #6
- 35. 6A06000 Mach. Screw #6-1"
- 36. 6K02206 Washer
- 37. 6K02000 Washer
- 38. 6A15104 Mach. Screw
- 39. 6D02201 Nutsert 10-24
- 41. 6D03202 Hex Nut 3/8"
- 42. 2E10156 Bushing (casted-in)
- 44. 2E90802 Strain reliever
- 45. 2E50210 Rubber stop
- 46. 9X92200 Socket
- 48. 7C54505 Tube cable
- 51. 9X91610 Collar cordhook for replacement, order 2E91612
- 52. Saddle & Plug Assy prt#2E2300 (to replace #46)

part # 2E90030 Handle Tube Assy consist

All parts listed above

not included in the above list & sold separately are:

- 49 6K02400 Washer &
- 50 2E91700 Trinut are packaged with the base & motor

[http://centaurmachines.com/wp/wp-content/uploads/2011/08/how\\_to\\_replace\\_socket\\_with\\_the\\_saddle.pdf](http://centaurmachines.com/wp/wp-content/uploads/2011/08/how_to_replace_socket_with_the_saddle.pdf)